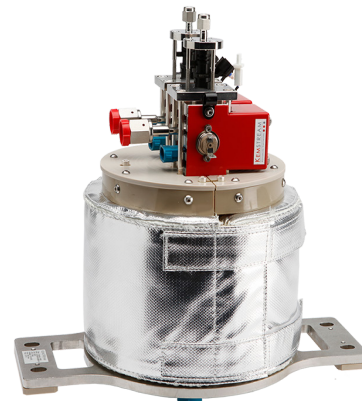
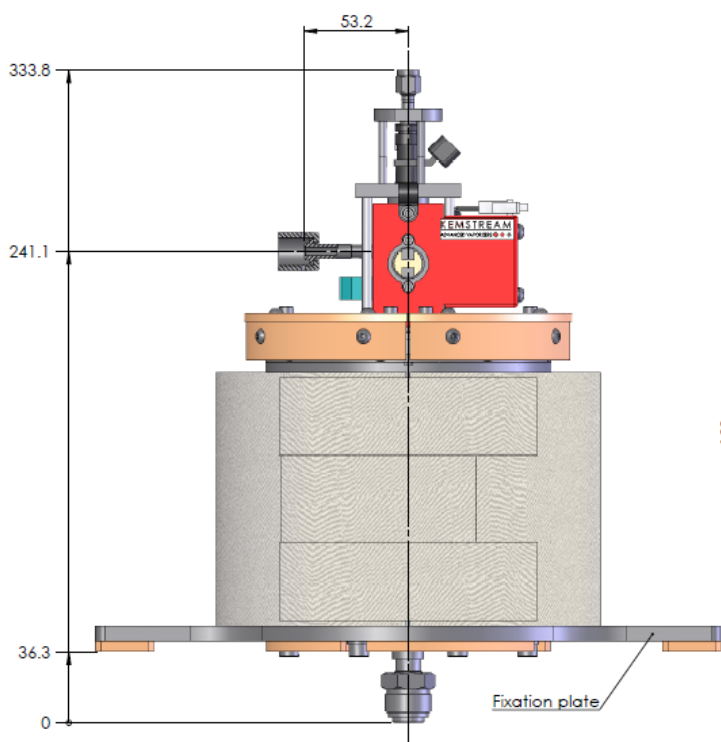


VAPBOX 1500



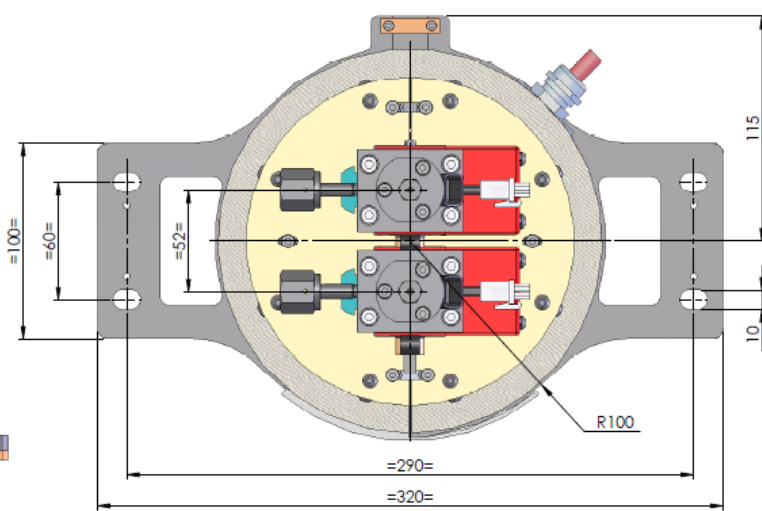
- Vaporizes pure liquid compounds and solid ones dissolved in a carrier liquid (organic solvent) up to 300°C.
- Is able to handle and vaporize most of solid and liquid compounds including low vapor pressure, thermally labile and viscous ones.
- Provides high and unmatched performances based on a pulsed injection of a mixture of liquid and carrier gas.
- Operates from vacuum to atmospheric pressure.
- Thanks to delivering of accurate and stable liquid flows, the VAPBOX 1500 delivers accurate and stable vapor flows.
- Can inject and vaporize 2 liquids or solutions simultaneously or sequentially.

DIMENSIONS (mm)



Front view

Total weight is about 22 kg



Top view

TECHNICAL SPECIFICATIONS

Injection Heads (liquid inlets)

- 1 or 2

ICU (Injection Control Unit)

- 24 VDC or 110-230 VAC remote and rackable 19" 2U unit

Heating:

- 3 heating zones, up to 300°C, 1650 W
- 4 K type thermocouples: (1 per heating zone + 1 alarm)

Fittings:

- 1/8" compression type or 1/8" VCR male fitting for liquid inlet(s) (1-2)
- 1/4" VCR female fitting for carrier gas inlet(s) (1-2)
- 1/2" VCR male fitting for vapor outlet

Versions:

- 230 VAC version and 115 VAC version

Accessories:

- 1 Liquid flow controlling kit per Injection Head, including a Liquid Flow Meter (LFM)
- Liquid panel with 1 precursor tank per Injection Head and with an optional solvent tank (for rinsing purpose)
- Carrier gas panel with 1 carrier gas Mass Flow Meter (MFM) per Injection Head
- TCU (Temperature Control Unit): 19" remote and rackable 3U unit

Flows range (per Injection Head):

- Typical carrier gas flow range = 120 to 5000 sccm
- Typical liquid flow range = 0.1 to 10 g/min
- Typical liquid flow range = 0.1 to 10 g/min

ORDERING INFORMATION

Injection head

HB4 - S2V F4 H

Liquid inlet fitting

S2V	1/8" Swagelok
M2V	1/8" VCR male

Carrier gas inlet fitting

F4	1/4" VCR female (standard)
M4	1/4" VCR male
S4	1/4" Swagelok
T4	1/4" OD tube

Carrier gas inlet direction

H	Horizontal (standard)
V	Vertical

Vaporizer

V15 HBRS2 M8 V

Voltage (for heating)

HBRS2	230 VAC
LBR2	115 VAC

Vapor outlet fitting

M8	1/2" VCR male (standard)
M4	1/4" VCR male
	other fittings upon request

Vaporizer pressure (process P)

V	from 0 to 1.5 bara
A	above 1.5 bara